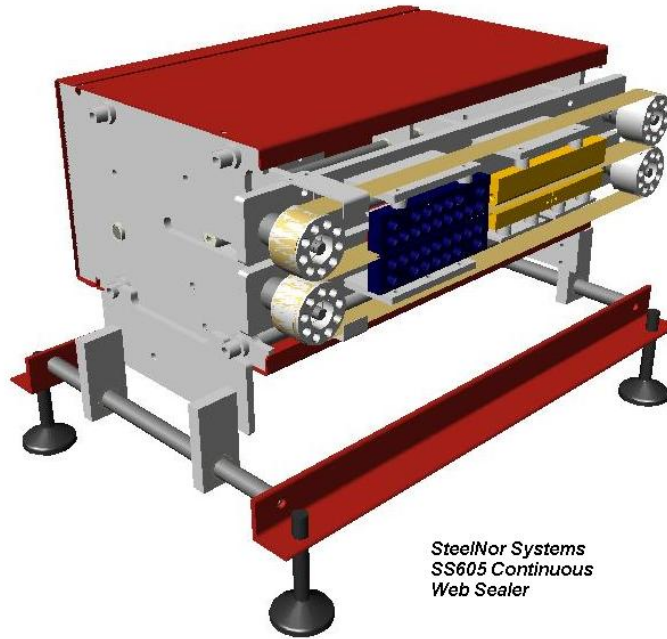


SteelNor Systems

SS605 Continuous Web Sealer



*SteelNor Systems
SS605 Continuous
Web Sealer*

The SS605 is used for producing **header** type seals and are also referred to as **roller sealers**. Our Third Belt option allows for **sealing in the gusset**, or **fold over top film**, for **die cut bags**. It also keeps the center layers from sealing together.

Features:

- Main chassis construction from aluminum and stainless steel.
- Onboard pneumatic valve to close sealing jaws when running and open to prevent scorching when idle.
- Laboratory quality solid-state temperature controls for upper and lower heating zones.
- A web path of any angle is accommodated with the adjustable floor pads or easy mounting points.
- Fully adjustable sealing shoes allow the contact angle and pressure to be set to your needs.
- Stainless Steel Covers.
- A variety of seal widths are available from 1/8" to 7/16".
- Base stand allows for easy fine-tuning of the seal position.

Product Options Available:

- Chilled Liquid or Air Cooling.
- Third Belt attachment for sealing in the gusset, fold over top film, die cut bags.
- Custom mounting brackets for operation in a vertical direction.